

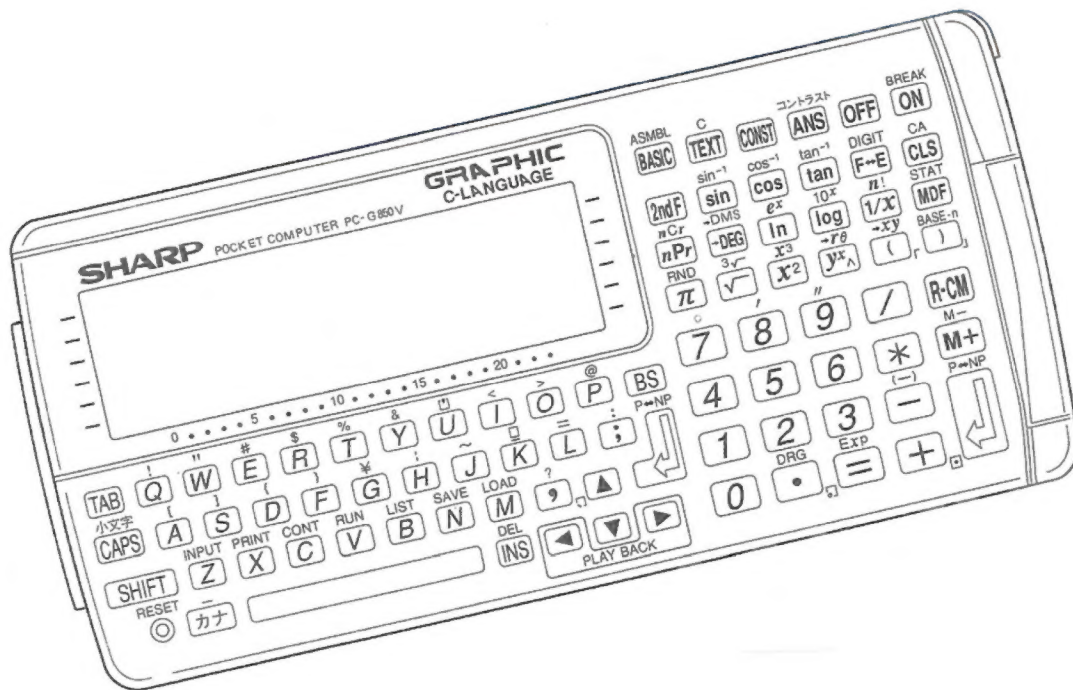
# SHARP

## POCKET COMPUTER

MODEL

# PC-G850V(S)

## User Manual/ Interface



Copyright © 2016 spellbound

Version 1.1, 12/2016

## Appendix A: 11-Pin Interface

### Signals and Pin-Out

On the left side of the PC-G850V(S) there is an 11-pin interface intended for communication with other devices. It is a multi-functional interface, hence it can operate in different (sub-)modes. The actual mode is selected through operational commands or menu items of the PC-G850V(S).

1. SIO / RS-232C-mode (e.g. `OPEN"COM:"`)
2. SSIO-mode (Synchronous Serial Input/Output)
  - a. CE-126P print protocol (e.g. `LPRINT` *without* preceding `OPEN`)
  - b. LPRT-protocol (e.g. `OPEN"LPRT:"`)
3. PWM-mode (Pulse Width Modulation)
  - a. CE-126P tape protocol (e.g. `BSAVE/BLOAD` with a CE-126P)
  - b. Generic PWM-protocol (e.g. `BSAVE/BLOAD` with another PC-G850V)
4. PIO-mode (e.g. `OPEN"PIO:"`)  
Programmable, 8-bit parallel port interface
5. PIC-mode (activated by the PIC-loader in the assembler menu)  
Programming interface for PIC microcontrollers

The association of physical pins to logical signals (called pin-out) as well as the configured direction for input (I) or output (O) depends on the active mode. The following table gives an overview. Looking from the left side of the PC-G850V(S) pin-1 is the leftmost and pin-11 the rightmost.

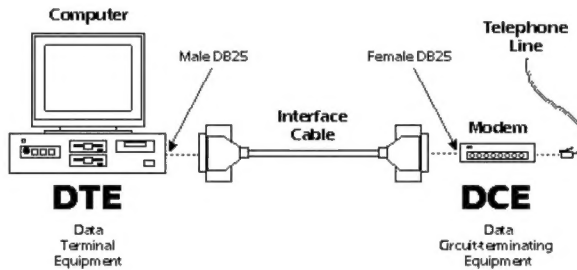
Pin #	SIO-Mode		SSIO/PWM-Mode		PIO-Mode		PIC-Mode	
	Signal	I/O	Signal	I/O	Signal	I/O	Signal	I/O
1	-	-	-	-	-	-	-	-
2	VCC(+5V)	-	VCC(+5V)	-	VCC(+5V)	-	VCC(+5V)	-
3	GND	-	GND	-	GND	-	GND	-
4	RTS	O	BUSY	O	Bit0	I/O	CP	O
5	DTR	O	DOUT	O	Bit1	I/O	CLK#	O
6	RXD	I	XIN	I	Bit2	I/O	DATAIN	I
7	TXD	O	XOUT	O	Bit3	I/O	DATAOUT	O
8	CD	I	DIN	I	Bit4	I/O	LOWBATT#	I
9	CTS	I	ACK	I	Bit5	I/O	-	-
10	DSR	I	EX1	I	Bit6	I/O	-	-
11	CI	I	EX2	I	Bit7	I/O	-	-

The next sections describe the SIO-mode and respective connection options in detail. The other modes are covered subsequently.

## SIO-Mode: RS-232 Standard and Conventions

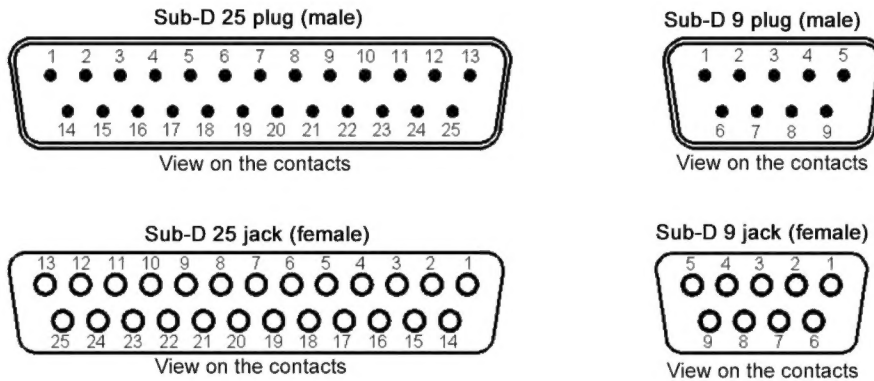
The PC-G850V(S) in SIO-mode exposes the signals of the RS-232 standard, but with different voltage levels (see below). This section provides the necessary basics of the standard and covers some specifics of the PC-G850V(S).

Within the RS-232 standard the terms DTE (Data Terminal Equipment) and DCE (Data Communication Equipment) are introduced. The DTE is the PC-G850 for example and the DCE is a modem or another peripheral device, like a serial printer.



When two computers shall communicate directly (i.e. without a modem), you need a so called null-modem (cable/adaptor), which connects the outputs of one DTE with the inputs of the other and vice versa (crossed signals).

Typically 25-pin (Sub-D 25 / DB-25) or 9-pin (Sub-D 9 / DB-9) plugs and jacks are used to connect RS-232 capable devices.



The pin-out and meanings are summarized in the following table.

Signal	Name	Alternative Name	Direction (DTE-View)	Semantics	Pin# DB-9	Pin# DB-25
TXD	Transmitted Data	SD	Out	Data from DTE to DCE	3	2
RXD	Received Data	RD	In	Data from DCE to DTE	2	3
RTS	Request To Send (Ready To Send)	RS	Out	DTE requests permission from DCE to send data	7	4
RTR	Ready To Receive			DTE is ready to receive data from DCE		
CTS	Clear To Send	CS	In	DCE is ready to receive data from DTE	8	5
DTR	Data Terminal Ready	ER	Out	DTE interface ready for operation	4	20
DSR	Data Set Ready	DR	In	DCE interface ready for operation	6	6
CD	Carrier Detect		In	DCE detects remote DCE (e.g. telephone line)	1	8
CI	Call Indicator	RI	In	Call of a remote DCE	9	22
GND	Signal Ground	SG	None	Signal-ground (reference)	5	7
FG	Frame Ground	PG	None	Shield	-	1

**Remark:**

*In the late 1980's there was a shift in the meaning of the RTS-signal:*

*Originally the DTE (computer) requests the DCE (modem) for permission that the DTE may send data - and the DCE "answers" via CTS. But this protocol is asymmetric because the DTE has no means to notify the DCE to wait for internal computations when the DCE sends data. For this reason "Request To Send" was re-claimed: The DTE requests the DCE to send data – or in other words, the DTE is "Ready To Receive" (RTR). RTR and CTS are now independent of each other and the protocol between DTE and DCE is symmetric. But in most cases the name "Request To Send" (RTS) was kept, hence it is fairly ambiguous.*

The PC-G850V(S) implements the newer, symmetric RTR-semantics (but the signal name RTS has been kept). This is in contrast to the preceding pocket computer model PC-E500(S), which implements the original RTS meaning and therefor needs the XON/XOFF-protocol in addition, when it reads data/programs from a PC. The PC-G850V(S) sets the DTR-signal to HIGH, when the SIO-interface is active, but it does not care about the DSR-input. So there is no DTR/DSR-handshake. The RTS/CTS-handshake, or alternatively the XON/XOFF-protocol can be configured in the TEXT/Sio/Format-submenu by the item "flow".



## SIO-Mode: Signal Levels

The next table summarizes the logic- and voltage-levels of the RS-232 standard in comparison with UART-TTL and the PC-G850V(S).

	Logic level	Voltage level	Semantics for data signals (RXD, TXD)	Semantics for control signals (RTS, CTS, etc.)
RS-232	LOW	-15V to -3V	1 (Mark), Idle, Stop	Inactive
	HIGH	+3V to +15V	0 (Space), Start	Active
UART-TTL	LOW	0V	0 (Space), Start	Active
	HIGH	+3,3V / +5V	1 (Mark), Idle, Stop	Inactive
PC-G850V(S)	LOW	0V	1 (Mark), Idle, Stop	Inactive
	HIGH	5V	0 (Space), Start	Active

So the PC-G850V(S) exposes inverted UART-TTL level signals in SIO-mode, just as most other SHARP pocket computers do. That means the logic is identical to the RS-232 standard (HIGH=0/active), but the voltage level is TTL.

⇒ **In order to connect peripheral devices with the PC-G850V(S) that operate at RS-232 voltage levels, a level converter is mandatory!**

The state of the TXD- and RTS-signals in SIO-mode is undefined, except for the following cases:

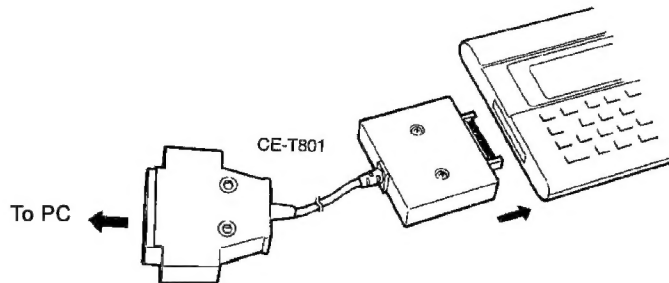
1. The interface has explicitly been opened in SIO-mode (e.g. `OPEN"COM:"`) when in operational main mode "BASIC".
2. R- or W-commands are executed in operational main mode "Monitor".
3. Data transfer via SIO in operational main mode "TEXT".

## SIO-Mode: Data Transfer Cable CE-T800 and CE-T801

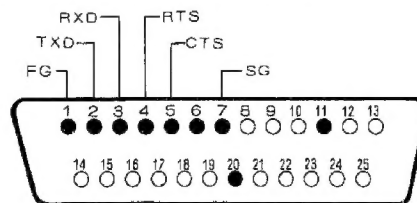
The data transfer cables CE-T800 and CE-T801 are RS-232 level converters with an integrated null-modem wiring. They can be used to connect the PC-G850V(S) to a personal computer (PC) or other devices.

With these cables you can transfer data, program source-code or machine language programs from or to a PC by using the TEXT/Sio-submenu or the SIO-commands (R, W) of the integrated hex-monitor (MON). The DB-25 plug of the cable can be connected directly to a PC (if necessary via a DB-9 adaptor), when there is a physical COM port. Alternatively it can be connected to a USB-port through an additional serial-to-USB adaptor. Don't use a null-modem adaptor or wiring for a PC-connection (because it's already integrated in the cable).

However if a peripheral RS-232 device like the 4-color plotter CE-515P shall be connected, a null-modem adaptor/wiring is mandatory in order to compensate the integrated one.



### Pin-out of the CE-T801 plug (DB-25)



Pin-6 and pin-20 are interconnected

On the CE-T800 pins 6 and 20 are not connected, pin 11 is not connected on both models (CE-T800 and CE-T801).

**Attention:** Never touch the pins of the DB-25 plug. Static electricity may be harmful for the circuits.

A free working area of about 300bytes is required for data transfer from a PC.

## SIO-Mode: USB PC-Adaptor Cable with Hardware-Handshake

An elegant, hence powerful DIY-alternative for the connection of the PC-G850V(S) with a modern PC is based on a pre-built USB-UART adaptor cable with open endings.

Specification:

FTDI USB-UART/TTL adaptor cable based on FT232R-chip, 5V, 6 pins  
(GND,5V,RXD,TXD,RTS,CTS)

For physical connection with the 11-pin interface of the PC-G850V a common multi-pin-connector with 2.54mm spacing can be used. You need to solder the UART-lines of adaptor to the multi-pin-connector by using a null-modem wiring then:

FTDI-UART Signal (Color)	PC-G850V(S) Signal (Pin)
GND (black)	GND (3)
RXD (yellow)	TXD (7)
TXD (orange)	RXD (6)
CTS (brown)	RTS (4)
RTS (green)	CTS (9)
VCC (red)	-

Additionally there should be a 10kOhm resistor between pin-4 and pin-3 of the multi-pin-connector. It serves as a pulldown for the RTS-signal, to get a defined LOW level. Without it, you might experience I/O-errors when transferring data from a PC to the PC-G850V(S), because the PC may not receive wait requests from the pocket computer.

Finally you have to download the tool FT\_PROG from the website of the manufacturer: [www.ftdichip.com](http://www.ftdichip.com). With this tool you must logically invert the signals RXD, TXD, RTS and CTS of the FTDI-chip, because the SIO-mode (RS-232 interface) of the PC-G850V(S) operates on *inverted* UART-logic (see above). This is a one-off process and the settings are persisted within the integrated EEPROM of the FTDI-chip.

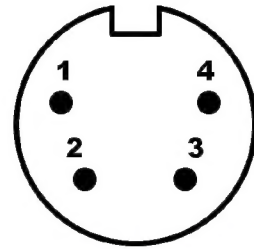


## SIO-Mode: RS-232 Printer

With the SIO-mode you can also make use of printers that provide an RS-232 interface, like the 4-color plotter CE-515P or CE-516P.

Do not connect an RS-232-printer to the PC-G850V(S) without a voltage level converter! The data transfer cable/converter CE-T800/801 can be used in combination with a null-modem wiring or adaptor. To connect the CE-515P/516P via RS-232 a DIN-4 plug is needed. The correct wiring (including null-modem) is as follows:

DIN-4 Plug		CE-T800/1 DB-25 Plug	
Pin#	Signal	Pin#	Signal
1	+12V	-	-
2	BUSY#	4	RTS
3	GND	7	GND
4	DATA#	3	RXD



DIN-4 plug, view on the pins

Be sure to have the DIP-switches on the back side of the CE-515P/516P configured correctly (see printer manual for details).

Furthermore you have to adopt the RS-232 parameters in the TEXT/Sio/Format submenu of the PC-G850V(S) in order to get a connection with the CE-515P:

- baud rate = 1200
- data bit = 8
- stop bit = 1
- parity = none
- end of line = CR
- flow = RS/CS

Now, to actually direct outputs to a RS-232-printer, you have to open the 11-pin interface explicitly in SIO-mode (`OPEN"COM:"`) – and close it after use (`CLOSE`). Character-strings and control codes are transmitted via the `PRINT#1, "..."` command in between.

```
OPEN"COM:"
PRINT#1, "HELLO WORLD"
...
CLOSE
```

The commands `LPRINT`, `LLIST`, `LFILES` however are not routed to the 11-pin interface in SIO-mode.

## SSIO-Mode

The SSIO-mode serves for the purpose of *synchronous* serial data transfer – in contrast to the *asynchronous* serial data transfer of the SIO-mode. “Synchronous” means, that the sender provides an additional strobe/clock signal, to which the receiver aligns. This makes an explicit baud-rate obsolete, to which both sides have to be configured in SIO-mode. Hence the settings of the TEXT/Sio/Format-submenu are irrelevant in SSIO-mode.

The SSIO-mode provides different submodes resp. protocols.

### SSIO-Mode: CE-126P Print Protocol

This is the default protocol for the 11-pin interface of the PC-G850V(S). It is the protocol for the printer CE-126P and it is active if and only if there is no other (sub-)mode selected. The commands LPRINT, LLIST and LFILES are routed to the printer in this mode.

The integrated cassette interface of the CE-126P can also be used by the PC-G850V(S) and the respective protocol shares the handshake with the print protocol, but it uses PWM for data transfer instead of SSIO (see below).

The pin-out and signal semantics within the CE-126P print protocol is as follows:

Pin #	Signal	Direction	Semantics
4	BUSY	Out	Clock pulse for synchronous, serial data transmission
5	DOUT	Out	Data line
6	XIN	In	No function
7	XOUT	Out	HIGH: CE-126P sub-device select (i.e. printer vs. cassette interface) resp. command transfer LOW: Idle or data transmission
8	DIN	In	No function
9	ACK	In	CE-126P ready to receive data or commands (handshake)
10	EX1	In	No function
11	EX2	In	No function

The following diagram shows the signal timing for the command LPRINT"X" with the CE-126P connected:



The PC-G850V(S) is waiting for ACK going HIGH before BUSY is set to HIGH for each clock pulse. This synchronous, serial protocol is also used by the CE-126P interface of the PC-E500(S).

### SSIO-Mode: LPRT-Protocol and Mini-I/O Port

The mini-I/O port of the PC-G850V(S) is just a logical grouping of the six main signals of the SSIO-mode into two groups, three signals/bits each:

- Mini-I/O output-port (3-bit)
  - XOUT (bit-0)
  - DOUT (bit-1)
  - BUSY (bit-2)
- Mini-I/O input-port (3-bit)
  - ACK (bit-0)
  - DIN (bit-1)
  - XIN (bit-2)

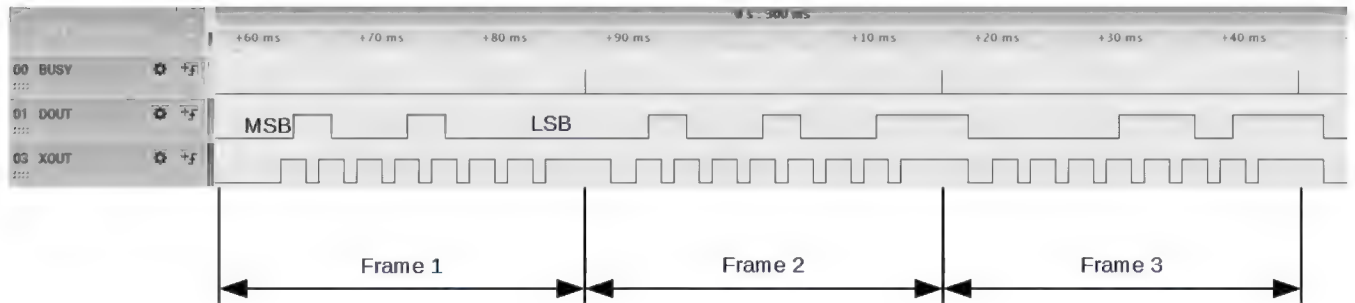
The bits of the mini-I/O port can be controlled explicitly via the functions `OUT/mininput()` and `INP/miniget()`, so that e.g. custom communication protocols can be implemented on that basis.

Besides that, the PC-G850V(S) provides a synchronous, serial protocol for data transfer to a respective peripheral device. In order to enable that, the 11-pin interface must be opened with the command `OPEN("LPRT: ")`. The data-streams of the commands LPRINT, LLIST and LFILES are then sent over this protocol using ASCII code.

The signal semantics of the LPRT-protocol is as follows:

Pin #	Signal	Direction	Semantics
4	BUSY	Out	Frame-indicator for each transmitted byte
5	DOUT	Out	Data line
7	XOUT	Out	Clock pulse with pause after each byte
9	ACK	In	LOW: Receiver ready HIGH: PC-G850V(S) must wait

The next diagram shows the signal timings:



Data is transferred byte-wise with MSB-first. DOUT is valid at the rising edge of the clock pulse. The BUSY-signal provides an additional reference frame for each byte.

### PWM-Mode: CE-126P Tape Protocol

This protocol is activated by the commands BSAVE, BSAVEM, BLOAD, BLOADM, BLOAD? when a CE-126P (or compatible cassette interface) is attached in order to store, load or verify BASIC programs or binary data sections (e.g. machine language programs) to / from a tape recorder like the CE-152.

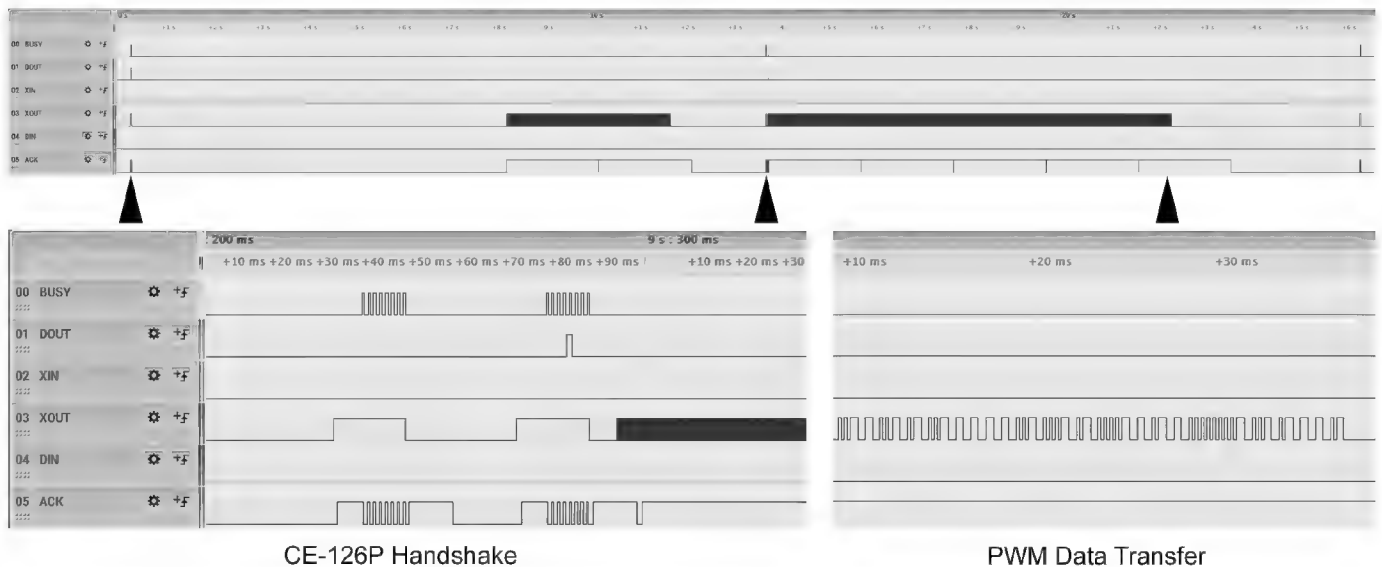
The protocol includes the SSIO-handshake of the CE-126P printer protocol but the actual data transfer is realized via pulse width modulation (the digital equivalent of analog waveforms). So it's a kind of mixed SSIO/PWM-protocol.



This is the signal-semantics within the CE-126P tape protocol:

Pin #	Signal	Direction	Semantics
4	BUSY	Out	Clock pulse for synchronous, serial handshake
5	DOUT	Out	Data line for handshake
6	XIN	In	PWM data from the cassette interface (load)
7	XOUT	Out	Handshake: See CE-126P printer protocol Data: PWM transfer to the cassette interface (save)
8	DIN	In	No function
9	ACK	In	CE-126P ready to receive data or commands (handshake)

The following diagram shows the signal timing of the CE-126P tape protocol for a BSAVE-operation (saving a BASIC-program with only one line):



The dynamics for a BLOAD-operation is equivalent, but the PWM-data is received through the XIN-signal then.

### PWM-Mode: Generic PWM-Protocol

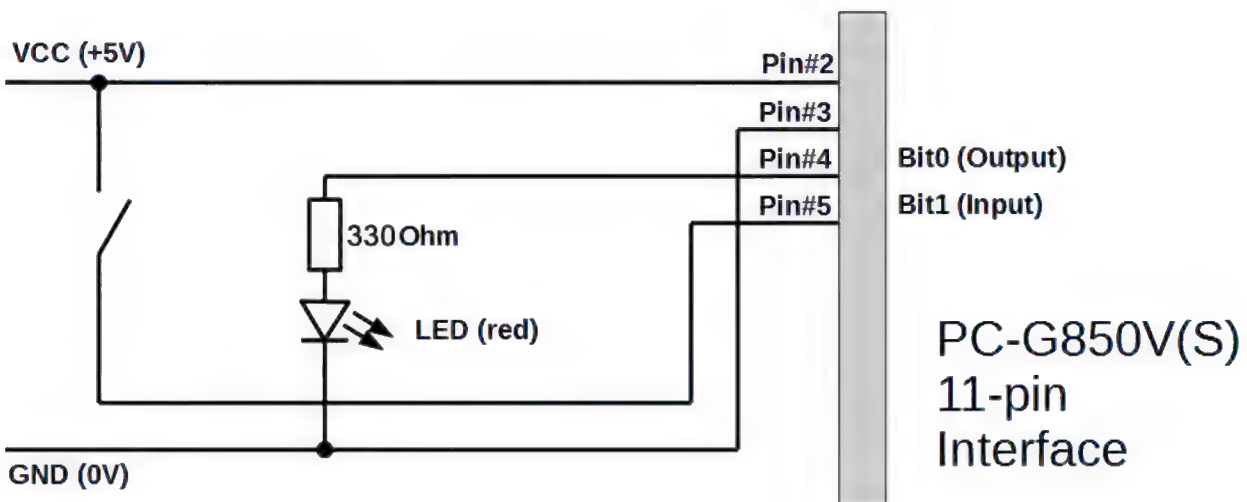
This protocol is equal to the CE-126P tape protocol reduced to XOUT and XIN. It is activated by the commands BSAVE, BSAVEM, BLOAD, BLOADM, BLOAD? when *no* CE-126P (or compatible cassette interface) is connected. Typically this would be the case, if two PC-G850V(S) are directly interconnected by a cross-wired cable like the EA-129C. The PC-G850V(S) distinguishes the activation of the CE-126P tape protocol from the generic PWM protocol by setting XOUT to HIGH as the very first action for a BSAVE/BLOAD-command: If ACK is *not* going HIGH then, the generic PWM-protocol is used (i.e. BUSY/DOUT/ ACK handshake being skipped).

## PIO-Mode

The PIO-mode is primarily intended for the purpose of controlling external digital hardware, rather than for data communication with other devices. With this mode you change the pocket computer into a microcontroller with an on-board development environment.

The 11-pin interface becomes a programmable 8-bit port. The logic levels (LOW/HIGH) can be set and read by the PIO-API (API = Application Programming Interface) in BASIC or C. Each of the 8 signals/bits can be configured individually to serve as input or output. The direction can be set by the function `pioaset/PIOSET` (see command reference). The function `piooutput/PIOPUT` sets the individual logic levels of each signal by setting the respective bit to 0 (=LOW) or 1 (=HIGH). Signals that were configured as input are ignored then. The function `pioget/PIOGET` reads all 8 logic levels of the port into one byte.

In order to demonstrate the PIO-mode usage, here is a very simple example:



In this example bit-0/pin-4 is an output, which lights up an LED when it is in the HIGH (logic 1) state. Bit-1/pin-5 on the other hand serves as an input that represents the state of a push button switch. An open input (i.e. undefined level) is internally pulled down and thus interpreted as logic 0. This is the case, if the push button is open. In order to distinguish that state from the closed state, the push button is connected to VCC (i.e. HIGH/logic 1) on the other side and not to GND.

Let the goal of the “microcontroller”-code be to switch on the LED by the first button-click and to switch it off again by the next button-click (and so on). Let us use the programming language C for this example – BASIC would be similar, but less structured.

The following C-program implements these requirements:

```

1  #define BOOL  char
2  #define TRUE  1
3  #define FALSE 0
4  #define BTN   0x02
5
6  char BTNstate = 0;
7  char LEDstate = 0;
9
10 BOOL setupPIO() {
11     if(!fopen("pio","a+")) {
12         printf("can't open port\n");
13         return FALSE;
14     }
15     pioset(BTN);
16     return TRUE;
17 }
19
20 BOOL pressed() {
21     BOOL rtn=FALSE;
22     char btn;
23     btn=pioget() & BTN;
24     if(btn && BTNstate==0)
25         rtn=TRUE;
26     BTNstate=btn;
27     return rtn;
28 }
29
30 toggleLED() {
31     LEDstate=!LEDstate;
32     printf("LED=%x\n",LEDstate);
33     pioput(LEDstate);
34 }
39
100 main() {
101     printf("PIO test\n");
102     if(!setupPIO())
103         abort();
104     while(TRUE) {
105         if(pressed()){
106             printf("button pressed\n");
107             toggleLED();
108         }
109     }
110 }

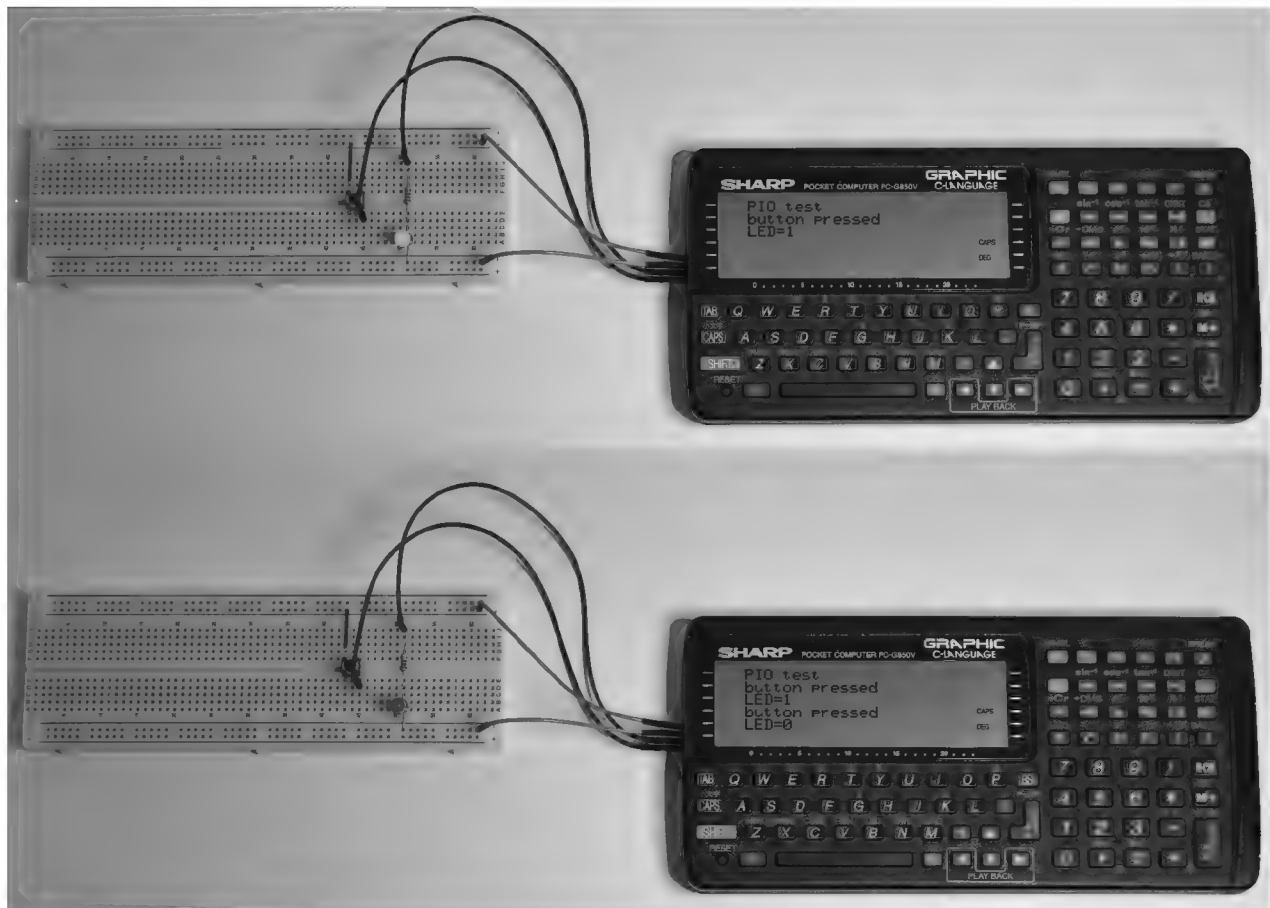
```

To enter the symbol '\ ' press **SHIFT**-G in TEXT-Mode. It is displayed as **Y**.

Comments on the code:

- Line 4: Bit-mask for bit-1 (0b00000010), i.e. push button input
- Line 6: Global state variable for the push button
- Line 7: Global state variable for the LED
- Line 11: The interface is opened in PIO-mode for read and write.
- Line 15: Configure bit-1 / pin-5 as input. All other signals are outputs.
- Line 20: This function detects the transition from bit-1 = 0 to bit-1 = 1, i.e. the close event of the push button.
- Line 23: The PIO-port is read and all bits are masked out, except bit-1.
- Line 30: This function changes the state of the LED.
- Line 33: The new LED-state (bit-0) is written to the port.  
Unused outputs are set to 0.
- Line 104: Main-loop, abort by ON/BREAK-key.

The following images show an experimental setup and the respective trace outputs on the display of the PC-G850V.





## PIC-Mode

The PIC-mode of the PC-G850V(S) is used for the transfer of an assembled PIC-program to a PIC microcontroller. This process is called PIC-programming, PIC-program (up)loading or PIC-burning, since a specific “burning” voltage is needed that is much higher than normal operating voltage. This mode is activated by the PIC-loader menu item in the PIC-assembler sub-menu only. The PC-G850V(S) supports the ICSP-protocol (In-Circuit Serial Programming) of the PIC16F8x microcontroller family and compatible models.

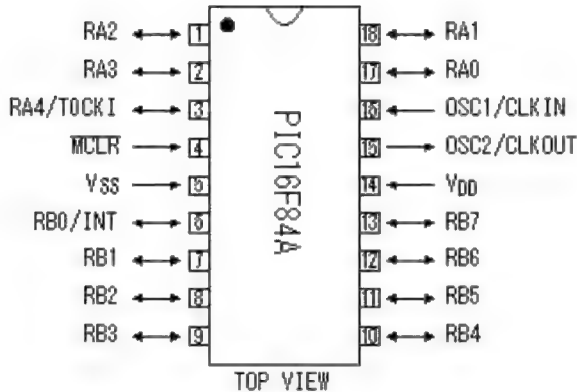
The pin-out and signal semantics of the 11-pin interface in PIC-mode is as follows:

Pin #	Signal	Direction	Semantics
4	CP	Out	This signal controls the ICSP-programming mode of the PIC. If this signal is HIGH, the burning voltage (+12 to +14V) must be provided at the MCLR#-pin of the PIC. If this signal is LOW, the MCLR#-pin must be at GND-level or VDD (+5V).
5	CLK#	Out	This signal provides the ICSP-clock-pulse for the PIC to be programmed. However the <u>inverted</u> CLK# (i.e. CLK) signal must be provided at the RB6-input-pin of the PIC. The latter latches data bits on the <u>falling</u> edge of that CLK-pulse.
6	DATAIN	In	This input must be connected with the RB7-pin of the PIC. Data is read from the PIC over this line for verification of the programming process.
7	DATAOUT	Out	This output is used for serial data and command transfer to the PIC in ICSP-mode. It has to be connected with the RB7-pin of the PIC too.
8	LOWBATT#	In	This digital input can be connected to a programming voltage monitoring circuit (esp. when using an external supply). LOW (logic 0) means „weak voltage supply“.

Due to the specification of the PIC16F8x family, the PIC performs a transition to ICSP-mode, if and only if all of the following conditions are true:

- VDD = +5V, VSS = GND
- MCLR# = +12V to +14V
- RB6 (CLK) = LOW.
- RB7 (DATA) = LOW.

The following image shows the pin-out of a PIC16F84A as a representative:

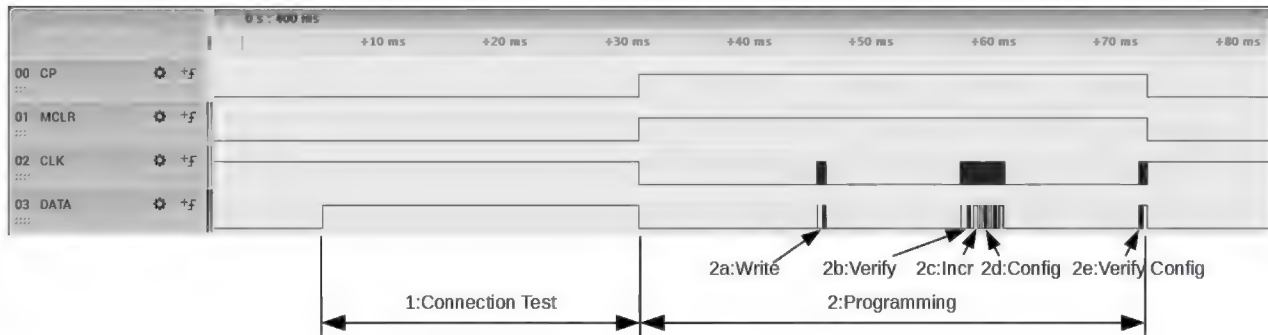


The PIC-loader of the PC-G850V(S) supports the ICSP-protocol as stated above, but preceding to that there is a connection test phase. If it fails, the programming process stops and the message `Connection error!` is shown on the display.

In order to get into more details of the PIC-loader dynamics, we take a minimalistic example code for the PIC16F84A. It just consists of the configuration word and an infinite loop without body:

```
10 #include "p16f84a.inc"
20 __config 0x3ff6
30 loop goto loop
```

The PIC-assembler compiles this source code into a PIC machine language program with only one PIC-word (14-bit). The next diagram shows the phases of a successful burning process controlled by the integrated PIC-loader of the PC-G850V(S):



*CLK was strobed at the RB6-input of the PIC (i.e. the already inverted CLK# signal). DATA was strobed at the RB7-pin. CP directly controls the programming voltage at the MCLR#-pin.*

1. Connection test: The PC-G850V(S) sets DATAOUT to HIGH and checks, whether DATAIN is going HIGH as well. So both signals have to be connected, otherwise the ICSP-protocol will not be activated!
2. This is the ICSP-phase, entered by MCLR# = 12,5V, CLK = LOW, DATA = LOW.
  - a. Writing the assembled 14-bit word (PIC-op-code)
  - b. Verification (read) of the last programmed PIC-op-code
  - c. Increment the PIC program counter. If the PIC-program consisted of more than one word, there would be a 2a/b/c loop for every other word.
  - d. Writing the PIC-configuration word
  - e. Verification of the PIC-configuration word

This diagram is a zoom-in of phase 2a:



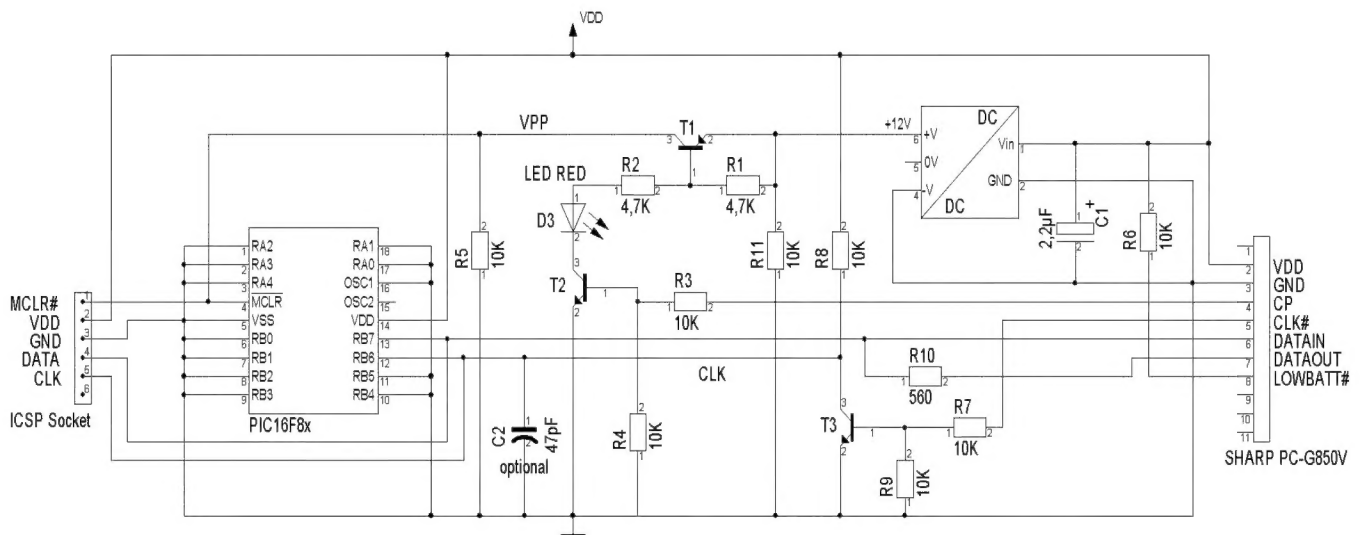
*PIC-ICSP commands are 6-bit wide (see specification of your PIC). A command can be followed by a data word – writing or reading. Data words are 14-bit wide, but they are framed by a start- and a stop-bit, so that there are 16-bit in total. Transmission is done always with the least significant bit first (LSB-first). All bits are latched/provided at the falling edge of the CLK-pulse, as already mentioned.*

1. PIC-ICSP command „Load Data for Program Memory“ (0x02).
2. Data transmission for the „Load Data for Program Memory“-command. So in this example the 14-bit op-code compiled by the PIC-assembler is 0x2800.
3. PIC-ICSP command „Beginn Programming Cycle“ (0x08). This command has no data parameter and starts the PIC-internal burning process for the latched 14-bit word.

Now an appropriate PIC-burner circuit for the 11-pin interface of the PC-G850V(S) is needed, that utilizes the integrated PIC-loader and supports the PIC16F8x microcontroller family. Such a circuit must match the following criteria at least:

1. The CP-signal must control the programming/burning voltage for the PIC.
2. DATAIN and DATAOUT must be interconnected already for the connection-test phase.
3. The inverted CLK#-signal must be provided at the RB6-pin of the PIC.
4. The CLK#-signal is very sensitive for cross-talk – especially from DATOUT. Shielding and/or elimination of interference can be necessary. Furthermore a pull-down resistor is needed for a defined LOW-level of the CLK#-signal.
5. The LOWBATT# input must either be connected to a programming voltage monitoring circuit or pulled up to the HIGH-level.

The following circuit meets these requirements. An additional feature is that it does not need an external power supply providing the programming voltage, but it creates this via a DC/DC-converter from VDD (+5V):



A +5V to +12V DC/DC-converter like the TMA0512C (or ~D) can be used to provide the burning voltage. The CP-signal controls this as VPP for the MCLR#-pin through the transistors T1 and T2. The LED serves as an indicator for ICSP-mode. T3 and R8 are inverting the CLK#-signal which then is connected as CLK to the PICs RB6. C2 (as a low-pass filter) works for interference elimination at the CLK-signal if necessary. The low voltage indicator only raises an exception, if the operation voltage supply falls below the LOW-threshold (i.e. logic 0) during the programming phase.



In order to test the complete PIC programming process with the PC-G850V(S), the following, quite simple PIC-program can be used. It flashes an LED that is connected to the RB1-pin:

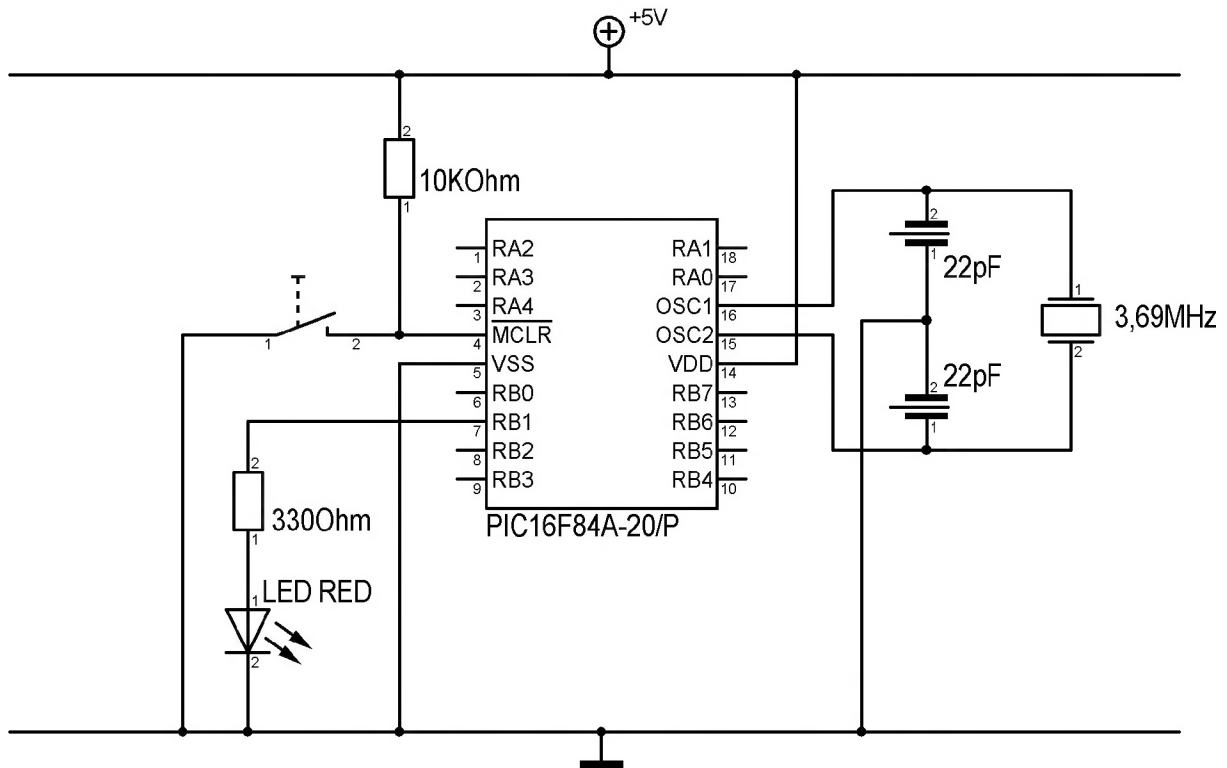
```

10 #include "p16f84a.inc"
20 __config 0x3ff1 ;CP_OFF & PWRT_ON & WDT_OFF & XT_OSC
30DELAY1 equ 0x08 ;delay counter 1
40DELAY2 equ 0x09 ;delay counter 2
50 org 0
99
100start
110 bsf STATUS,RP0 ;change to bank 1
120 bcf TRISB,1 ;enable RB1 for output
130 bcf STATUS,RP0 ;back to bank 0
140loop
150 bsf PORTB,1 ;RB1=1,LED=on
160 call delay
170 bcf PORTB,1 ;RB1=0,LED=off
180 call delay
190 goto loop
299
300delay
310 movlw 255
320 movwf DELAY1
330 movwf DELAY2
340dloop
350 decfsz DELAY1,f
360 goto dloop
370 decfsz DELAY2,f
380 goto dloop
390 return

```

Enter this source code in TEXT-mode and compile it with the PIC-assembler. Now connect a PIC16F84A with the PIC-burner circuit from above (or equivalent) to the 11-pin interface of the PC-G850V(S). Finally activate the PIC-loader from the PIC-assembler sub-menu.

After successful program upload, decouple the PIC from the burner circuit and install it within the following test circuit:



This test circuit utilizes an external quartz < 4MHz as a clock. That corresponds to the setting of XT\_OSC within the configuration word (0x3FF1) of the sample program (see specification of the PIC16F84A).

If the PIC has been programmed correctly, the LED will start flashing as soon as a power source (+5V) is connected to the test circuit. The push button switch is optional and brings the PIC into RESET-state when pressed (MCLR#=LOW). Program execution is halted then, so the LED is permanently off. The flash frequency can be influenced via quartz-frequency selection (hardware) or by changing the number of iterations of the outer delay loop (software) in line 310 of the sample program, range 1..255.